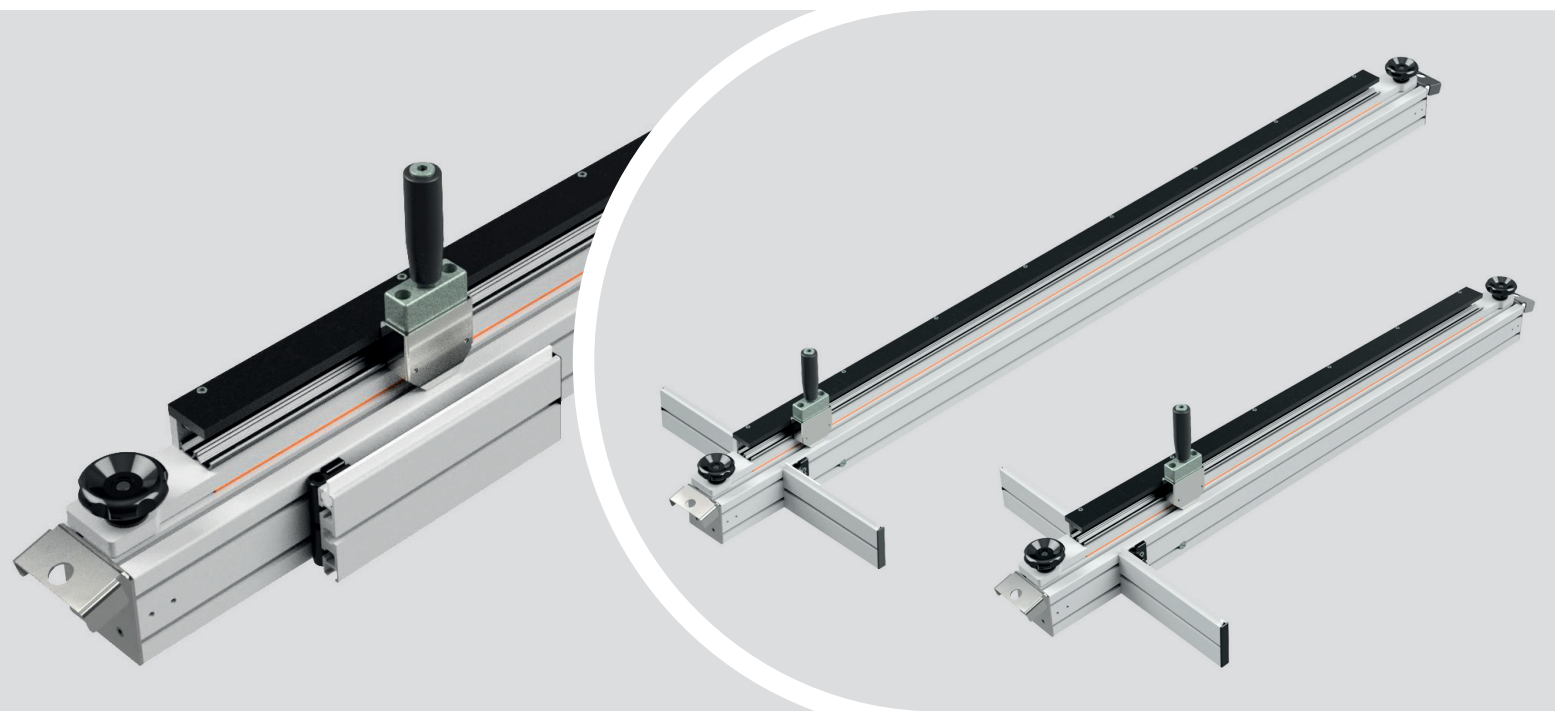


Habasit BC

Belt cross cutters



Manual cross cutter for 90° belt ends preparation

The ideal solution for onsite use or small volume production.

The BC cross cutters are portable belt cutters featuring a bi-directional blade and foldable guides that ensure precise 90° cutting of belts. Two versions, **BC-1000** and **BC-1600**, are available to better cover your application needs. Shielded blade and absence of pinch provide full operator safety.

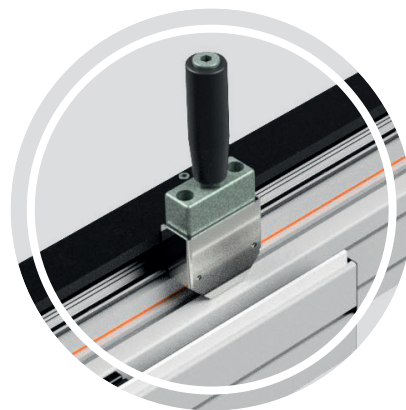
These tools are lightweight and user-friendly for on-site use, but also suitable for stationary application with dedicated workbenches.

Key features

- Safe operation
- Precise 90° belt cutting
- Portable or stationary use
- Operation simplicity
- No dust or swarf
- Durable design

Habasit BC Belt cross cutters

- Retractable blade is concealed in carriage, protecting operator during manual operation
- Blade carriage slides on bearing guides for maximum smoothness and minimum operator effort
- Bi-directional cutting
- Hard-steel blades for durability
- Safe blade replacement without exposed cutting edges



Technical specification BC-1000

Maximum length	1420 mm	55.91"
Maximum width / Maximum width with closed flipping guides	600 / 170 mm	23.62" / 6.69"
Maximum height	300 mm	11.81"
Weight	17 kg	74.96 lbs
Maximum belt width	1000 mm	39.37"
Maximum belt thickness	7 mm	0.28"
Ordering codes		
BC-1000/0 Belt cutter (complete tool)	H088000757	
Cutting blade 16 x 40 (spare part)	H08D022551	



Technical specification BC-1600

Maximum length	2020 mm	79.53"
Maximum width / Maximum width with closed flipping guides	600 / 170 mm	23.62" / 6.69"
Maximum height	300 mm	11.81"
Weight	22 kg	37.48 lbs
Maximum belt width	1600 mm	63"
Maximum belt thickness	7 mm	0.28"
Ordering codes		
BC-1000/0 Belt cutter (complete tool)	H088000758	
Cutting blade 16 x 40 (spare part)	H08D022551	



Information provided herein does not constitute legal representations or warranties and may change without notice. Please refer to the specifications/ disclaimers provided in the respective product data sheets.

For further information choose country selection Habasit Worldwide on:

www.habasit.com

Habasit International AG

CH-4153 Reinach-Basel
 ☎ +41 61 715 15 15
 📠 +41 61 715 15 55

Copyright Habasit AG
 Subject to alterations

4771FLY.TOL-en0524HIT