

Seamless Belts
4022US

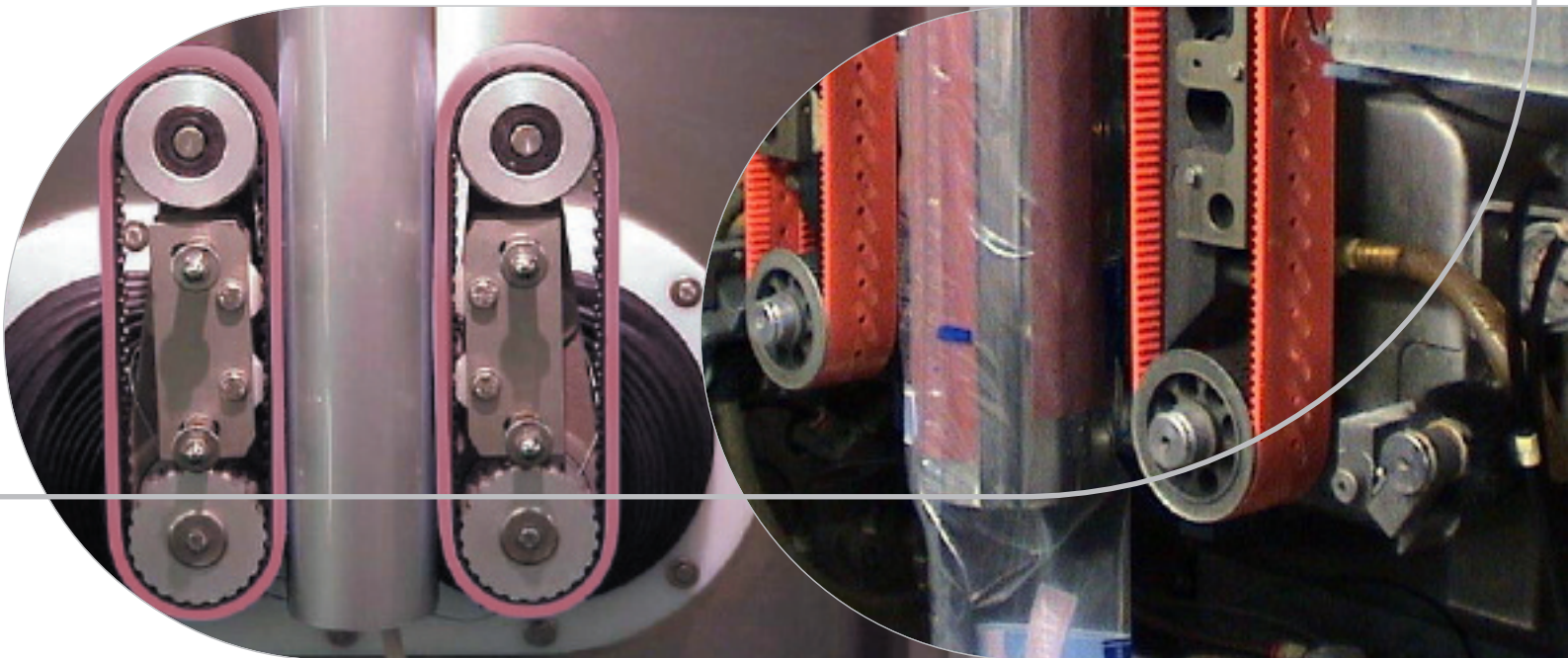


GRABBER™

FFS Series

Vertical Form-Fill-Seal

Habasit–Solutions in motion



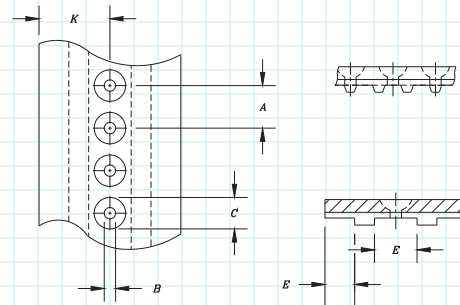
Designed to excel
PROVEN IN THE FIELD!

The Habasit advantages

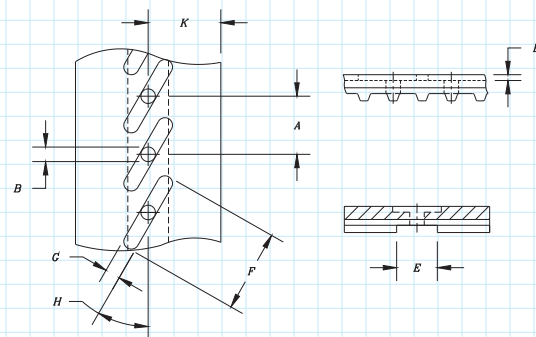
- **35A red natural rubber for superb friction**
- **Timing belt substrate for exact run**
- **Seamless cover for uniform wear**
- **Precise fabrication machining for excellent vacuum**
- **Excellent flexibility prevents cracking or tearing**
- **No splice or seam for increased reliability**
- **Non-glazing compound eliminating slick surfaces**
- **Homogenous ablative cover material for consistent friction**
- **Premium friction with excellent abrasion resistance**

Longer belt life!

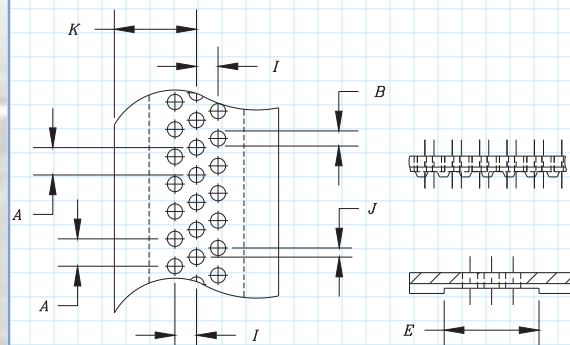
Countersunk, Grooved on Timing Side



Diagonal Slots, Grooved on Timing Side



Perforated (3 rows), Grooved on Timing Side



Referenced to OEM part number

EASY ORDERING!

Parts List

OEM	Part Number	Size	Type	Cover Material	Notes
Bosch Packaging Technology	8 101 825 307	50T10-920 x 4.5mm	VFBO001H04	35A Red Natural Rubber	Diagonal slots, Grooved on Timing side
	8 101 857 314	50T10-920 x 4.5mm	VFBO002H04	35A Red Natural Rubber	Diagonal slots, Grooved on Timing side
		50T10-920 x 4.5mm	VFBO006H04	35A Red Natural Rubber	Horizontal slots, Grooved on Timing side
		37T10-920 x 4.5mm	VFBO007H04	35A Red Natural Rubber	Horizontal slots, Grooved on Timing side
EaglePack	700370	2.625" x 32.50" x .160"	VFEP001H04	35A Red Natural Rubber	Diagonal slots
	700541	2.625" x 32.50" x .160"	VFEP002H04	35A Red Natural Rubber	Perforated
Fuji Machinery	GB109001	40-S8M-632 x 4.0mm	VFFJ001H04	35A Red Natural Rubber	Perforated, Grooved on Timing side
Hayssen	10197A0485	24 x 606 x 6.2mm	VFHA001H04	35A Red Natural Rubber	
	10197A0540	24 x 708 x 6.2mm	VFHA002H04	35A Red Natural Rubber	
	10197A0616	280XL094 x 6.4mm	VFHA003H04	35A Red Natural Rubber	
	10197A0615	280XL044 x 6.4mm	VFHA004H04	35A Red Natural Rubber	
Ishida	03-5-044	255H150 x 3.0mm	VFIS001H04	35A Red Natural Rubber	Perforated (3 rows), Grooved on Timing side
Matrix Packaging		800-5M-25 x 4.8mm	VFMA001H04	35A Red Natural Rubber	
Package Machinery	PD-166426-R	3.00" x 35.00" x .160"	VFFM001H04	35A Red Natural Rubber	Perforated (3 rows)
	PD-166426-P	3.00" x 35.00" x .160"	VFFM002H04	35A Red Natural Rubber	Perforated (5 rows)
Pacmac		.938" x 27.875" x .245"	VFPA001H04	35A Red Natural Rubber	
Ricciarelli		45 x 465 x 12.00mm	VFRI001H04	35A Red Natural Rubber	
Rovema	1.010.04.2.018.23	50T10-630 x 6mm	VFRV001H04	35A Red Natural Rubber	Grooved on Timing side only
	1.207.04.1.002.00	50T10-630 x 4.5mm	VFRV002H04	35A Red Natural Rubber	Countersunk, Grooved on Timing side
	1.200.04.1.047.00	50T10-630 x 6.2mm	VFRV003H04	35A Red Natural Rubber	
	1.010.04.2.137.23	50T10-630 x 4.5mm	VFRV004H04	35A Red Natural Rubber	Countersunk, Grooved on Timing side
	1.207.04.1.014.01	30T10-630 x 4.5mm	VFRV005H04	35A Red Natural Rubber	Countersunk, Grooved on Timing side
	1.010.04.2.138.23	29T10-630 x 6.4mm	VFRV006H04	35A Red Natural Rubber	Grooved on Timing side only
		50T10-780 x 4.5mm	VFRV007H04	35A Red Natural Rubber	Countersunk, Grooved on Timing side
Sandiacre	1226BL	225L094 x 6.5mm	VFSD001H04	35A Red Natural Rubber	
	BA 137200	270L098 x 4.5mm	VFSD002H04	35A Red Natural Rubber	Diagonal slots, Grooved on Timing side
	BA 137200	270L098 x 4.5mm	VFSD003H04	35A Red Natural Rubber	Diagonal slots, Grooved on Timing side
Ilapak	1E-520A	270L100 x 7.0mm	VFSI001H04	35A Red Natural Rubber	
	CM17000003	270L100 x 9.5mm	VFSI002H04	35A Red Natural Rubber	
	CM17000015	50T10-530 x 3.0mm	VFSI003H04	35A Red Natural Rubber	Diagonal slots, Grooved on Timing side
	CM17000024	50T10-720 x 3.0mm	VFSI004H04	35A Red Natural Rubber	Diagonal slots, Grooved on Timing side
	CM17000028	50T10-440 x 6.35mm	VFSI005H04	35A Red Natural Rubber	
	CM17000045	25T10-560 x 6.35mm	VFSI006H04	35A Red Natural Rubber	
	CM17000048	50T10-720 x 3.0mm	VFSI007H04	35A Red Natural Rubber	Vertical slots, Grooved on Timing side
	CM17000050	50T10-530 x 3.0mm	VFSI008H04	35A Red Natural Rubber	Vertical slots, Grooved on Timing side
	CM17000061	25T10-440 x 6.35mm	VFSI009H04	35A Red Natural Rubber	
Simionato		255L150 x 8.00mm	VFSM001H04	35A Red Natural Rubber	
TNA		368L051 x 4.5mm	VFTN003E04	60A Black Natural Rubber	Perforated, Countersunk
Triangle Packaging	03-326-05	340XL178 x .080"	VFTR001P01	40A Clear Polyurethane	Diagonal slots, Grooved on Timing side
Kliklok-Woodman	013756P	240XL150 x 6mm	VFWK001H04	35A Red Natural Rubber	
		240XL150 x 6mm	VFWK002P01	40A Clear Polyurethane	Smooth Surface

Consult Habasit for sizes, properties and manufacturers not listed above.

Austria

Habasit GmbH, Wien
 Phone: +43 1 690 66
 www.habasit.at

Belgium

Habasit Belgium N.V., Zaventem
 Phone: +32 2 725 04 30
 www.habasit.be

Canada

Habasit Canada Ltd., Oakville
 Phone: +1 905 827 4131
 www.habasit.ca

China

Habasit East Asia Ltd., Hong Kong
 Phone: +852 2145 01 50
 www.habasit.com.hk

Habasit (Shanghai) Co., Ltd.
 Shanghai

Phone: +8621 3417 1228
 Phone: +8621 3417 1218
 www.habasit.com.hk

Czech Republic

Habasit Bohemia spol. s.r.o., Brno
 Phone: +4205 41 421 651
 www.habasit.cz

France

Habasit France S.A.S., Mulhouse
 Phone: +33 389 33 89 03
 www.habasit.fr

Germany

Habasit Rossi GmbH,
 Eppertshausen
 Phone: +49 6071 969 0
 www.habasitrossi.de

Hungary

Habasit Hungária Kft., Esztergom
 Phone: +36 33 510 610
 www.habasit.hu

India

Habasit-lakoka Pvt. Ltd., Coimbatore
 Phone: +91 422 262 78 79
 www.habasitlakoka.com

Italy

Habasit Italiana SpA
 Customer Care:
 Phone: 199 199 333
 For int. calls: +39 0438 911444
 www.habasit.it

Japan

Habasit Nippon Co. Ltd., Yokohama
 Phone: +81 45 476 03 71
 www.habasit.co.jp

Latvia

Habasit Baltic SIA, Daugavpils
 Phone: +371 54 074 88
 www.habasit.lv

Netherlands

Habasit Netherlands BV, Nijkerk
 Phone: +31 33 24 72 030
 www.habasit.nl

New Zealand

Habasit Australasia Ltd., Hornby
 Phone: +64 3348 5600
 www.habasit.co.nz

Norway

Habasit Norge A/S, Oslo
 Phone: +47 81 55 84 58
 www.habasit.no

Poland

Habasit Polska Sp. zo.o.,
 Dąbrowa Górnicza,
 Phone: +48 32 639 02 40
 www.habasit.pl

Romania

Habasit Import/Export Romania SRL,
 Bucuresti, Phone: +40 21 323 95 65
 www.habasit.ro

Russia

Habasit Moscow
 Phone: +7 49 59 561 508
 www.habasit.ru

Singapore

Habasit Far East Pte. Ltd., Singapore
 Phone: +65 6862 55 66
 www.habasit.com.sg

Spain

Habasit Hispanica S.A.,
 Barberà del Vallès
 Phone: +34 93 719 19 12
 www.habasit.com

Sweden

Habasit AB, Hindas
 Phone: +46 301 226 00
 www.habasit.se

Switzerland

Habasit Schweiz, Reinach
 Phone: +41 61 715 15 75
 www.habasit.ch

Taiwan

Habasit Rossi (Taiwan) Ltd.
 Taipei Hsien
 Phone: +886 2 2267 0538
 www.habasit.com.tw

Ukraine

Habasit Ukraina, Vinnica
 Phone: +38 0432 58 47 35
 www.habasit.ua

United Kingdom and Ireland

Habasit Rossi (UK) Ltd., Silsden
 Phone: + 44 870 835 9555
 www.habasitrossi.co.uk

USA

Habasit America, Suwanee,
 Georgia, Phone: +1 800 458 6431
 www.habasitamerica.com

Habasit America, Middletown
 Middletown, Connecticut,
 Phone: +1 860 632 2211
 www.seamlessbelts.com

Rossi Gearmotors is one of Europe's largest industry groups for the production and sales of gear reducers, gearmotors, inverters, standard and brake motors.

ROSSI GEARMOTORS

Via Emilia Ovest 915/A
 41100 Modena – Italy
 Phone: +39 59 33 02 88
 Fax: +39 59 82 77 74
 www.rossi-group.com
 info@rossi-group.com

PRODUCT LIABILITY, APPLICATION CONSIDERATIONS

The proper selection and application of Habasit products, including the related area of product safety, is the responsibility of the customer. All indications / information are recommendations and believed to be reliable, but no representations, guarantees, or warranties of any kind are made as to their accuracy or suitability for particular applications. The data provided herein are based on laboratory work with small-scale test equipment, running at standard conditions, and do not necessarily match product performance in industrial use. New knowledge and experiences can lead to modifications and changes within a short time without prior notice.

BECAUSE CONDITIONS OF USE ARE OUTSIDE OF HABASIT'S AND ITS AFFILIATED COMPANIES CONTROL, WE CANNOT ASSUME ANY LIABILITY CONCERNING THE SUITABILITY AND PROCESSABILITY OF THE PRODUCTS MENTIONED HEREIN. THIS ALSO APPLIES TO PROCESS RESULTS / OUTPUT / MANUFACTURING GOODS AS WELL AS TO POSSIBLE DEFECTS, DAMAGES, CONSEQUENTIAL DAMAGES, AND FURTHER-REACHING CONSEQUENCES.

Habasit America
 150 Industrial Park Road
 Middletown, CT 06457
 www.seamlessbelts.com
 Telephone: 860-632-2211
 Fax: 860-632-1710
 Toll Free: 800-522-2358

Headquarters

Habasit AG
 CH-4153 Reinach-Basel
 Phone +41 61 715 15 15
 Fax +41 61 715 15 55
 E-mail info@habasit.com
 www.habasit.com

Registered trade marks

4022BRO.SEB-en1109USA