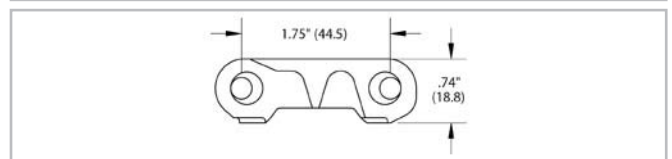
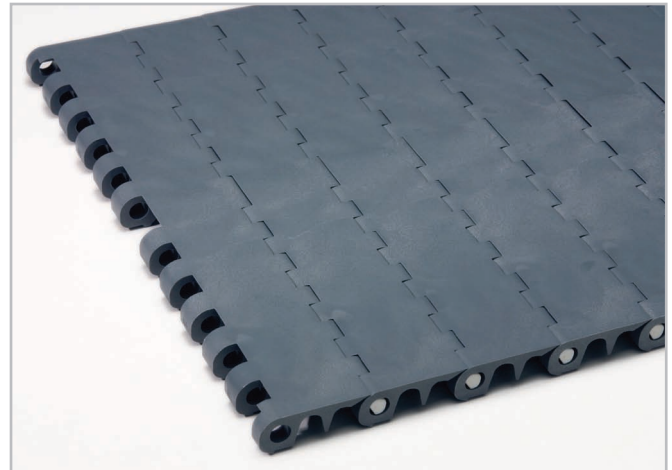


KVP® straight 1-3/4" pitch belting CC41 (Flat Top)



Description

- 1-3/4 inch pitch
- Solid top surface
- Food approved materials
- Connecting rod diameter = 0.250 inch (6.4 mm)
- Standard belt width increments = 1 inch (25.4 mm) nominal, starting from 4 inches (101.6 mm)
- Material selection may affect belt width — please contact your local partner for actual dimensions

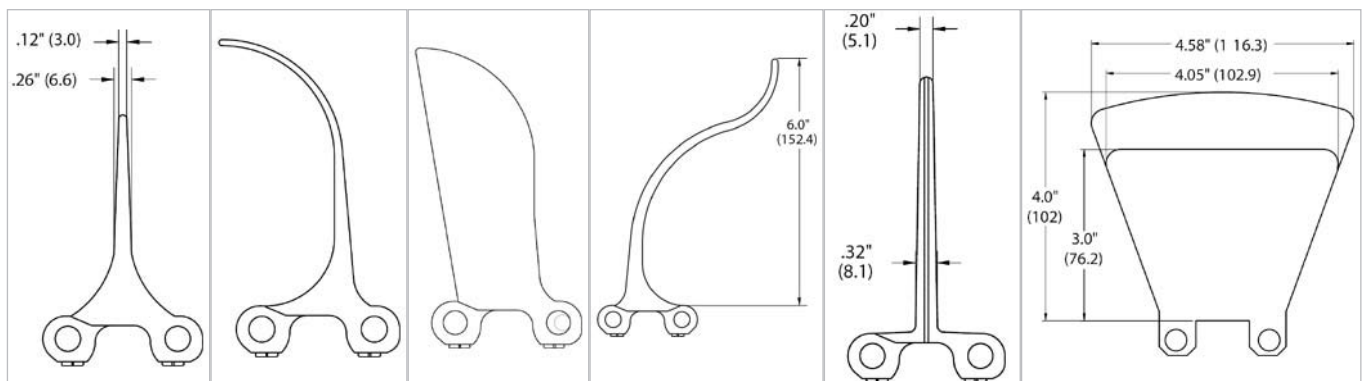


Belt data

Belt material		PP	PP +DE	PE	Nylon (PA 612)
Rod material		Nylon (PA)			
Nominal tensile strength F'_N straight run	N/m lb/ft	35024 2400	27728 1900	23349 1600	37944 2600
Temperature range	°C	5 - 105	5 - 105	-40 - 65	-40 - 118
	°F	40 - 220	40 - 220	-40 - 150	-40 - 245
Belt weight m_B	kg/m ²	7.3	5.9	8.0	9.0
	lb/sqft	1.50	1.20	1.63	1.85
Standard belt color		gray/white	dark gray	white	beige

Additional belt colors and materials available, stainless steel rods available - contact your local partner.

Belt accessories



Standard flight

Standard flights are available in 1", 2", and 3" heights. Standard flight indent is 1" or greater from outside edge of belt with all flights.

Scoop flight

Scoop flights are available in 3", 4" and 6" heights.

Bucket flight

Bucket flights are available in 3", 4" and 6" heights.

Slide flight

Tongue & Groove flight

Tongue & Groove flights are available in 4" height. Standard flight indent is 2" or greater from outside edge of belt.

Sideplates

Sideplates are available in 3" and 4" heights.

KVP® straight 1-3/4" pitch belting CC41 (Flat Top)



Product liability, application considerations

If the proper selection and application of Habasit products are not recommended by an authorized Habasit sales specialist, the selection and application of Habasit products, including the related area of product safety, are the responsibility of the customer.

All indications / information are recommendations and believed to be reliable, but no representations, guarantees, or warranties of any kind are made as to their accuracy or suitability for particular applications. The data provided herein are based on laboratory work with small-scale test equipment, running at standard conditions, and do not necessarily match product performance in industrial use. New knowledge and experiences can lead to modifications and changes within a short time without prior notice.

BECAUSE CONDITIONS OF USE ARE OUTSIDE OF HABASIT'S AND ITS AFFILIATED COMPANIES CONTROL, WE CANNOT ASSUME ANY LIABILITY CONCERNING THE SUITABILITY AND PROCESS ABILITY OF THE PRODUCTS MENTIONED HEREIN. THIS ALSO APPLIES TO PROCESS RESULTS / OUTPUT / MANUFACTURING GOODS AS WELL AS TO POSSIBLE DEFECTS, DAMAGES, CONSEQUENTIAL DAMAGES, AND FURTHER-REACHING CONSEQUENCES.