

HabasitLINK[®]

Installation instructions for M2420L03 ActivXchange

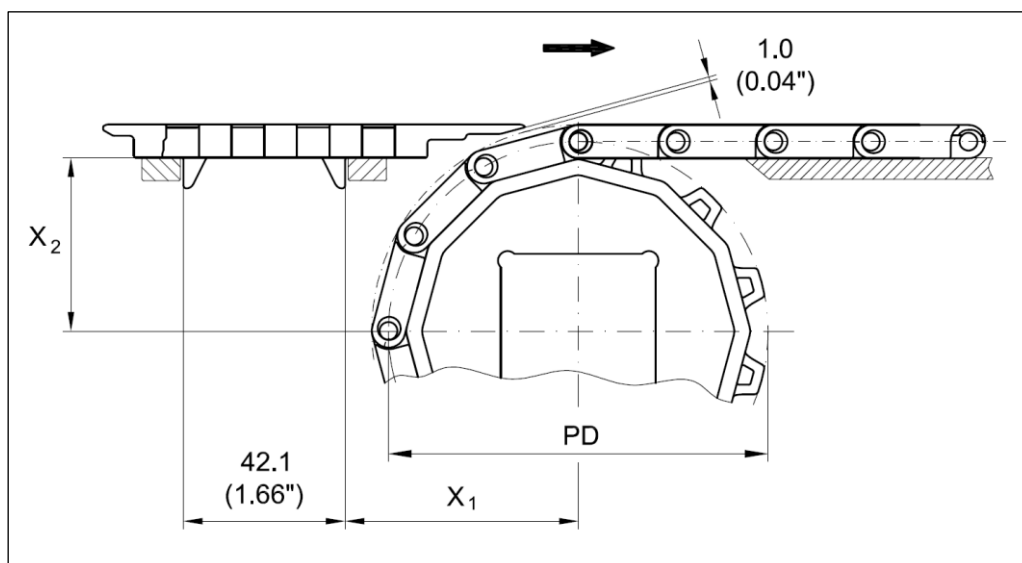
ActivXchange transfer modules allow a smooth 90° transfer without dead plates and a self-clearing transfer from one belt to the other. The module is provided with two tabs in order to guarantee an accurate position and tracking of the ActivXchange belt.



The exact installation dimensions are listed in the tables on the next pages.

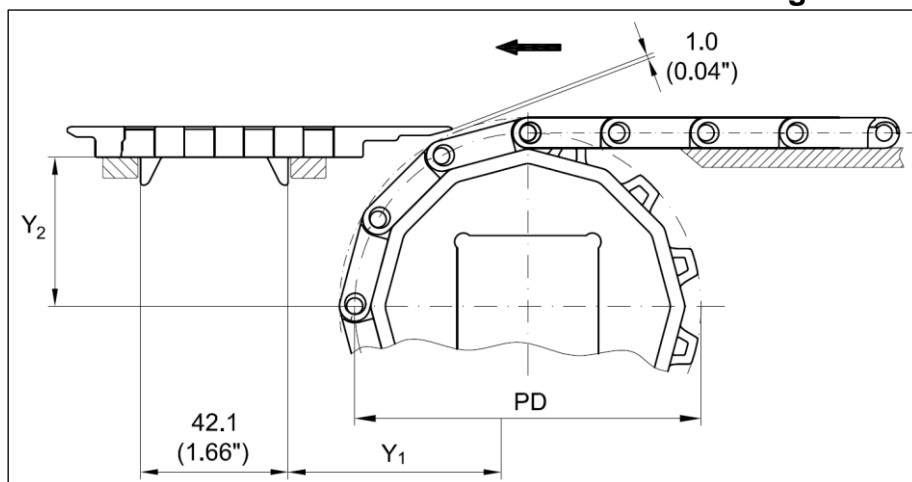
It is recommended to build the frame construction in a way that X_1 / Y_1 and X_2 / Y_2 can be adjusted within a range of some millimeters.

Product transfer from M2420L03 AxtivXchange to Belt:



transfer from ActivXchange (thickness)	to Belt Typ (thickness)	Sprocket- typ	Pitch Diameter Sprocket (PD)		X1		X2	
			mm	in	mm	in	mm	in
M2420L03 (8.7mm)	M1200 (8.7mm)	M12S10	41.2	1.6	56.1	2.21	16.3	0.64
		M12S15	62.4	2.5	58.0	2.28	26.7	1.05
		M12S24	99.2	3.9	60.7	2.39	45.1	1.78
		M12S28	116.5	4.6	61.8	2.43	53.8	2.12
		M12S36	149.8	5.9	63.8	2.51	70.5	2.78
	M1200 (10mm)	M12S10	41.2	1.6	56.3	2.22	17.5	0.69
		M12S15	62.4	2.5	58.2	2.29	27.9	1.10
		M12S24	99.2	3.9	60.9	2.40	46.3	1.82
		M12S28	116.5	4.6	61.9	2.44	55.0	2.17
		M12S36	149.8	5.9	63.9	2.52	71.7	2.82
	M2400 (8.7mm)	M24S12	99.1	3.9	60.7	2.39	45.2	1.78
		M24S15	123.4	4.9	62.1	2.44	57.4	2.26
		M24S18	147.7	5.8	63.7	2.51	69.6	2.74
		M24S20	164.0	6.5	65.1	2.56	77.6	3.06
	M2500 (10mm)	M25S12	98.6	3.9	60.8	2.39	45.6	1.80
		M25S16	130.8	5.1	62.8	2.47	61.7	2.43
		M25S18	146.9	5.8	63.7	2.51	69.8	2.75
		M25S20	163.0	6.4	64.7	2.55	77.9	3.07
	M2600 (12.7mm)	M26S12	99.1	3.9	60.9	2.40	47.2	1.86
		M26S16	131.5	5.2	62.8	2.47	63.5	2.50
M26S18		147.7	5.8	63.9	2.52	71.6	2.82	
M26S21		172.1	6.8	65.9	2.59	83.7	3.30	

Product transfer from Belt to M2420L03 ActivXchange:



Transfer from Belt Type (thickness)	to ActivXchange (thickness)	Sprocket-typ	Pitch Diameter Sprocket (PD)		Y1		Y2	
			mm	in	mm	in	mm	in
M1200 (8.7mm)	M2420L03 (8.7mm)	M12S10	41.2	1.6	58.3	2.30	15.3	0.60
		M12S15	62.4	2.5	60.7	2.39	25.7	1.01
		M12S24	99.2	3.9	63.9	2.52	42.4	1.67
		M12S28	116.5	4.6	65.3	2.57	52.8	2.08
		M12S36	149.8	5.9	67.9	2.67	69.4	2.73
M1200 (10mm)	M2420L03 (8.7mm)	M12S10	41.2	1.6	60.4	2.38	15.5	0.61
		M12S15	62.4	2.5	62.5	2.46	26.3	1.04
		M12S24	99.2	3.9	65.4	2.57	44.9	1.77
		M12S28	116.5	4.6	66.8	2.63	53.6	2.11
		M12S36	149.8	5.9	68.7	2.70	70.4	2.77
M2400 (8.7mm)	M2420L03 (8.7mm)	M24S12	99.1	3.9	68.4	2.69	42.5	1.67
		M24S15	123.4	4.9	69.9	2.75	55.0	2.17
		M24S18	147.7	5.8	71.4	2.81	67.4	2.65
		M24S20	164.0	6.5	72.3	2.85	75.6	2.98
M2500 (10mm)	M2420L03 (8.7mm)	M25S12	98.6	3.9	68.4	2.69	43.0	1.69
		M25S16	130.8	5.1	70.5	2.78	59.4	2.34
		M25S18	146.9	5.8	71.5	2.81	67.6	2.66
		M25S20	163.0	6.4	72.3	2.85	75.8	2.98
M2600 (12.7mm)	M2420L03 (8.7mm)	M26S12	99.1	3.9	68.8	2.71	44.5	1.75
		M26S16	131.5	5.2	70.7	2.78	61.2	2.41
		M26S18	147.7	5.8	71.7	2.82	69.4	2.73
		M26S21	172.1	6.8	73.0	2.87	81.8	3.22

Product liability, application considerations

If the proper selection and application of Habasit products are not recommended by an authorized Habasit sales specialist, the selection and application of Habasit products, including the related area of product safety, are the responsibility of the customer. All indications / information are recommendations and believed to be reliable, but no representations, guarantees, or warranties of any kind are made as to their accuracy or suitability for particular applications. The data provided herein are based on laboratory work with small-scale test equipment, running at standard conditions, and do not necessarily match product performance in industrial use. New knowledge and experiences can lead to modifications and changes within a short time without prior notice.

BECAUSE CONDITIONS OF USE ARE OUTSIDE OF HABASIT'S AND ITS AFFILIATED COMPANIES' CONTROL, WE CANNOT ASSUME ANY LIABILITY CONCERNING THE SUITABILITY AND PROCESS ABILITY OF THE PRODUCTS MENTIONED HEREIN. THIS ALSO APPLIES TO PROCESS RESULTS / OUTPUT / MANUFACTURING GOODS AS WELL AS TO POSSIBLE DEFECTS, DAMAGES, CONSEQUENTIAL DAMAGES, AND FURTHER-REACHING CONSEQUENCES.

